



H 326 Serie AC 1 Novantacinque

design Antonio Citterio



Product Submittal

Material Brass/Materiale Ottone

Custom finishes available
 Spring assist built in rosette
 Passage, privacy, dummy, multipoint, mortise hardware available
 Accommodates all standard and some custom backset dimensions
 A complete selection of other matching hardware may be available



Fusital | Door levers/Maniglia

Finish		
03		RP
26D		RP

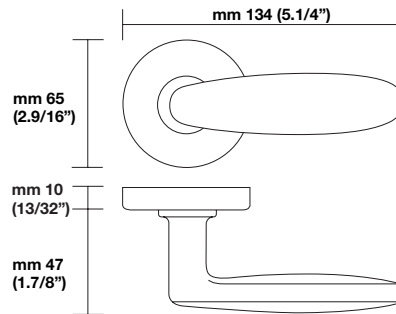
Finishes
 03= Polished Brass
 26D= Satin Chrome

Functions
 PGE= passage
 PCY= privacy
 DMY= dummy
 ML-F= mortise lock
 MULTI-POINT TRIM

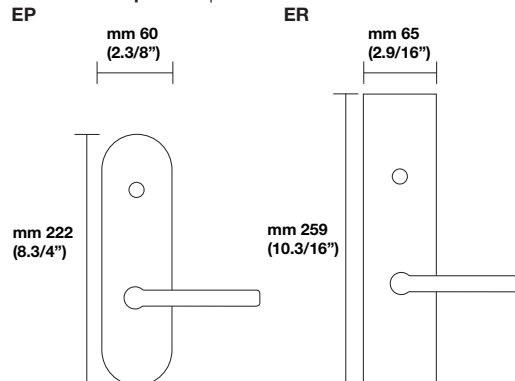
Finish		
03		EP
26D		EP ER

Trim Options
 RP= standard plain style rosette
 EP= plain style long escutcheon plates
 ER= rectangular style long escutcheon plates

Sizes/Misure



Escutcheon options/Opzioni



Valli&Valli U.S.A. Inc.
 150 east 58th street,
 4th floor
 New York, NY 10155
 sales@vallivalli-us.com
 T 212 326 8811
 F 212 326 8816
 Toll Free 877 326 2565

To order Valli&Valli products, informations should be specified in the same sequence as the example given:

1.Lever/Knob	2.Trim options	3.Function	4.Finish	5.Handing	6.Backset	7.Miscellaneous
H163	RP	ML F	03	RH	2-1/2"	2-1/4" thick

For small rosette, please specify RS (45 mm rosette). RS pricing is the same as RP pricing. Privacy RS also requires 105 RSP when ordering. RQ (2.9/16" rosette) for standard 2.1/8" cross bore.

820 S. Rockefeller Avenue,
 Suite E
 Ontario, CA 91761
 w.sales@vallivalli-us.com
 T 909 390 0333
 F 909 390 0353
 Toll Free 800 423 7161