

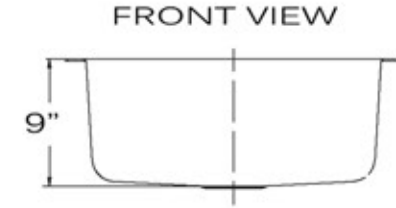
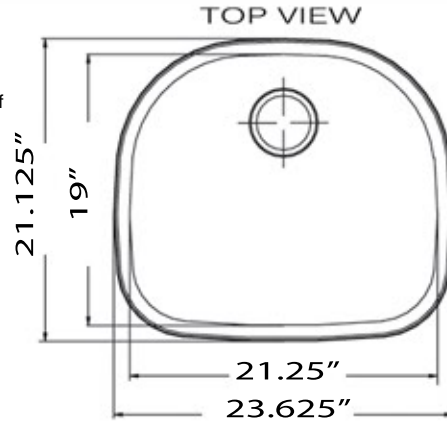
**Sconset Collection**  
**Premium Stainless Steel**  
**Kitchen Sink**



**MODEL:**  
**NS03i-16**



NS03i-16.pdf



Overall Dimensions	Interior Bowl	Drain Size	Bottom Grid/s	Reverse Model
23.625" x 21.125"	21.25" x 19"	3.5"	BG2421	NA

**FEATURES**

- Premium 304, 16 gauge Stainless Steel Kitchen Sink
- Bottom Grid and colander drain included
- cUPC certified
- 9" Bowl Depth
- Brushed Satin Finish
- Limited Lifetime Manufacturers Warranty
- Insulated to Reduce Condensation
- Rubber Padding is Applied for Noise Reduction



**PROJECT/ NAME:**

**ARCHITECT/CONTRACTOR:**

**MODEL:**

**JOB NOTES:**