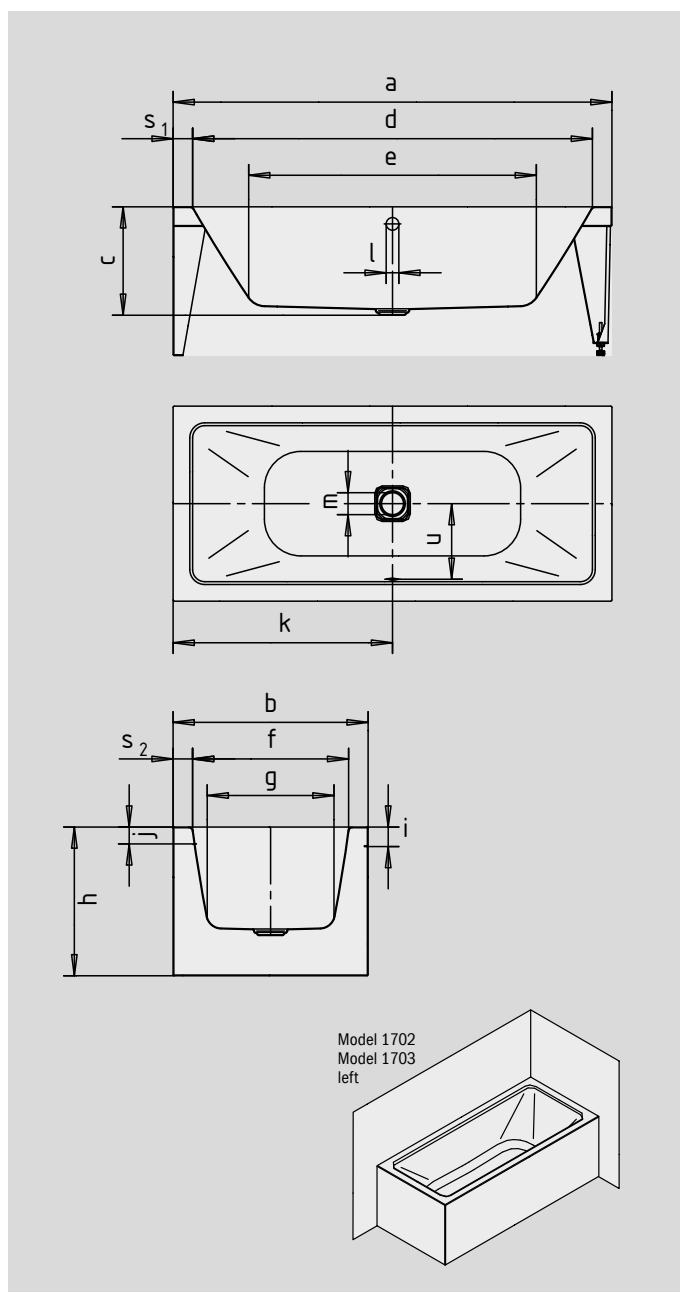


MEISTERSTÜCK CONODUO 1 LEFT CORNER INSTALLATION LEFT (2-SIDED)

- bath made of high-quality steel enamel with enamelled panelling on two sides
- specially designed for corner installation
- available in left-hand and right-hand version
- enamel surface with exclusive easy-clean finish
- straight-lined, purist design
- enamelled waste cover and overflow knob integrated in the bath design (also available with filling function)
- made of KALDEWEI steel enamel
- designed by Sottsass Associati



Similar illustrations



Model No.		1702	1703
External length	a	1700	1800 mm
External width	b	750	800 mm
Depth	c	445	445 mm
Internal length (top)	d	1540	1640 mm
Internal length (bottom)	e	1080	1180 mm
Internal width (top)	f	590	640 mm
Internal width (bottom)	g	470	520 mm
Height of bath	h	610	610 mm
Height of rim	i	80	80 mm
Distance top edge to centre of overflow hole	j	70	70 mm
Distance bath edge to centre of drain hole	k	850	900 mm
Diameter of overflow hole	l	52	52 mm
Diameter of drain hole	m	90	90 mm
Width of rim (foot end; lengthwise)	s ₁ ; s ₂	80; 80	80; 80 mm
Distance between centre holes	u	285	310 mm
Water volume** in litres		122	159
Weight of the enamelled bath in kg		100	109
Waste connection diameter		40/50	40/50 mm
Fill fitting connection		1/2"	1/2"

Subject to technical alterations, tolerances and errors. Similar illustrations.
** 70 litres displacement on average.