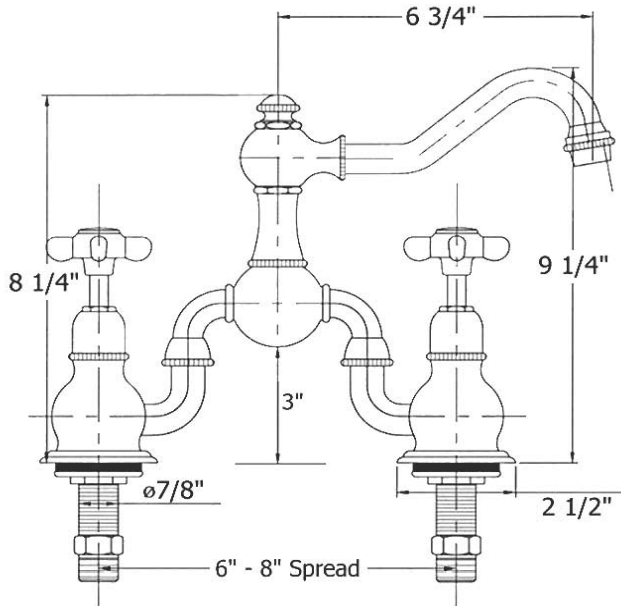


3003 - 'Royale' Two Hole Basin Mixer without Pop Up Waste



Technical Information

- NSF / ANSI 61 & 372 / ASME A112.18.1 / CSA B125.1 / CEC AB1953 / WATERSENSE Certified
- Requires 1 1/4" Hole drilling
- Center Holes Adjustable 6" – 8"
- Swiveling Spout
- Pop Up Waste # 3080 **not** included
- 1/2" Male Connections
- Maximum Flow rate is 1.2 GPM / 5.45 L / mn with New Low Flow Restrictor.
- Available finishes are French Weathered Brass(47), Polished Chrome(48), Solibrass(49), Matte Black Nickel(50), Old Gold(52), Old Silver(53), Polished Brass(55), Polished Nickel(56), Brushed Nickel(57), Satin Nickel(60), Antique Lacq. Copper(67), Antique Lacq. Brass(68), Weathered Brass(70), Lacq. Polished Black Nickel(71) and Lacq. Polished Copper(80).
- Please see cleaning Instructions: <http://herbeau.com/CleaningAll.pdf> for Finish Care & Maintenance Information.

Part #	Description
01	Top Knob
02	Finished Washer
03	Spout 6 3/4" – Ecobross
04	Flat Rubber Washer
05	Spout O-Ring
06	Body – Ecobross
07	Bridge Union
08	Aerator Washer
09	Aerator Filter
10	Aerator Cover
11	Ceramic Insert Hot/Cold
12	Finished Insert Holder
13	Handle Screw
14	Washer
15	Cross Handle
16	Handle Stem
17	Bell Escutcheon
18	Rubber O-Ring
19	1/2" Washer
20	Valve Body & Elbow – Ecobross
21	Escutcheon
22	Valve Thread – Ecobross
23	Sealing Screw
24	Metal Ring & Rubber Washer
25	Counter Nut
26	1/2" Washer
27	1/2" Adapter – Ecobross
85	1/2 Turn Ceramic Cartridge – Ecobross
91	Royale Finished Ceramic Insert Hot/Cold



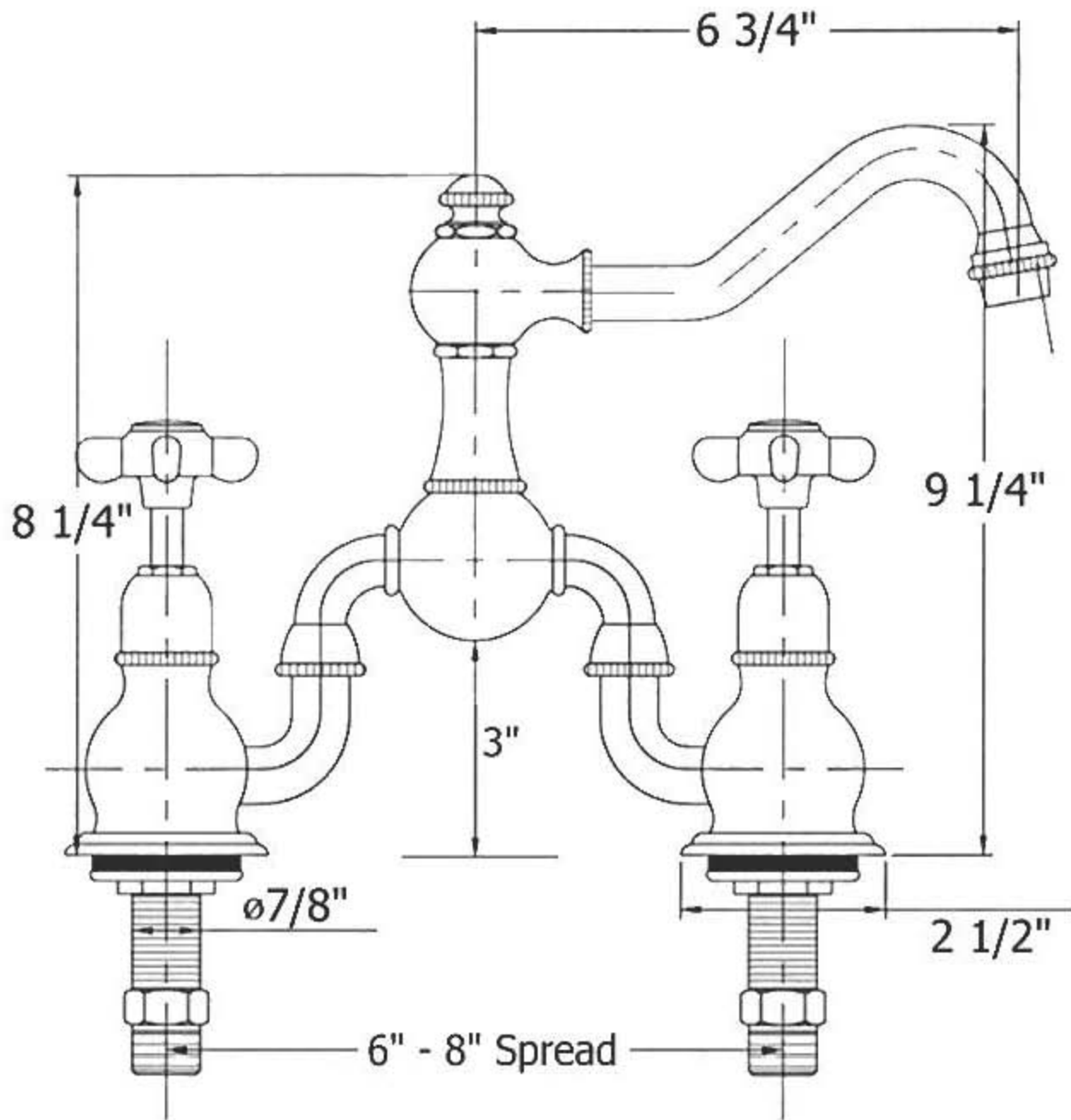
Please follow example when ordering parts for 'Royale' Mixer.

- To order part#15 – **Cross Handle**
 - 950064**xx**
- Please substitute finish number needed in place of **xx**.



Herbeau®
L'Art du Sanitaire depuis 1857

3003 - 'Royale' Two Hole Basin Mixer



Hole Drilling = $1 \frac{1}{4}$ "

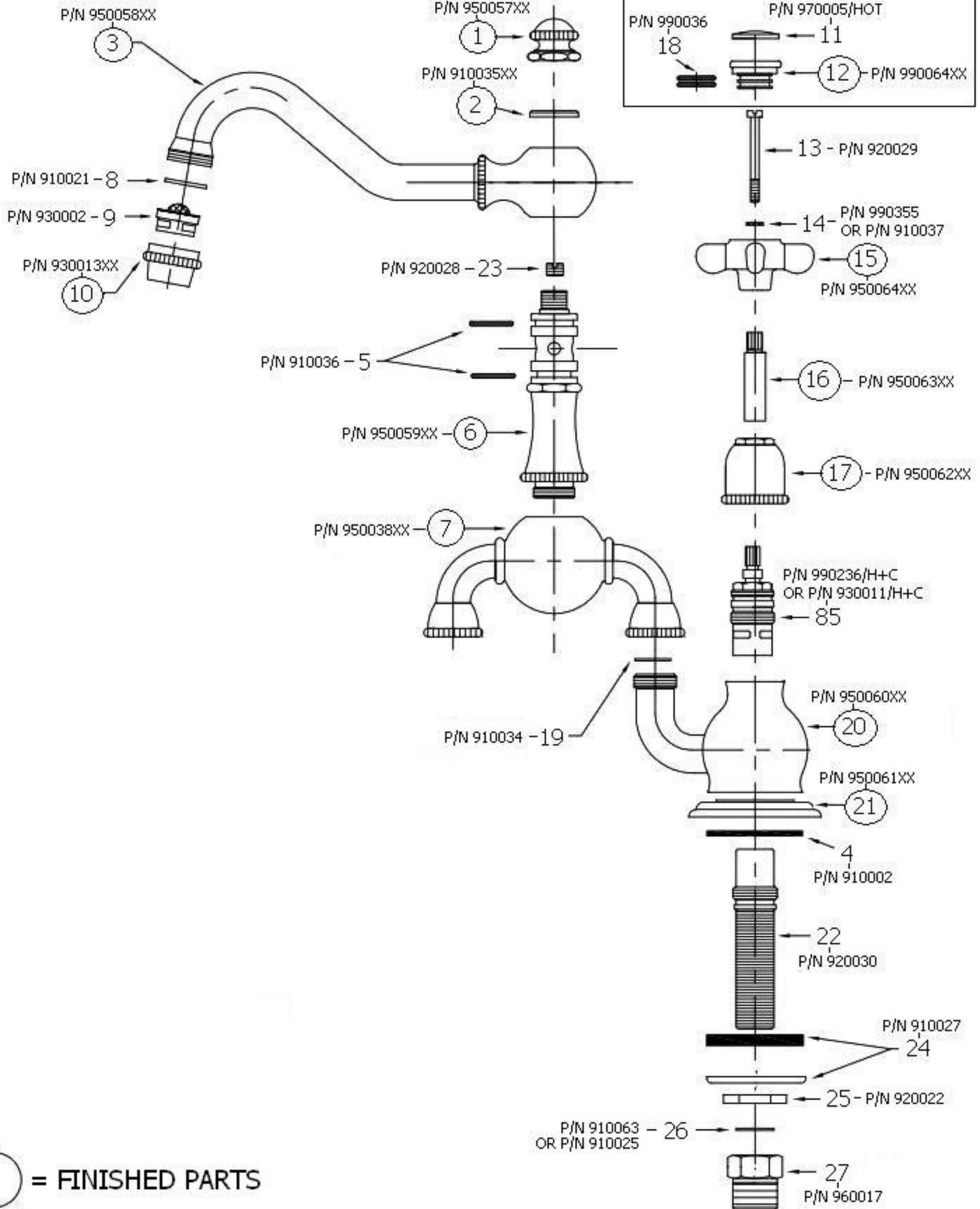
3003 - 'Royale' Two Hole Basin Mixer

*990236 CARTRIDGES FOR FAUCETS MADE AFTER 2009.

*930011 CARTRIDGE GOOD FOR ALL YEARS

P/N 950161XX/HOT
P/N 950162XX/COLD

*P/N = PART NUMBER



○ = FINISHED PARTS

XX = TWO DIGIT FINISH CODE