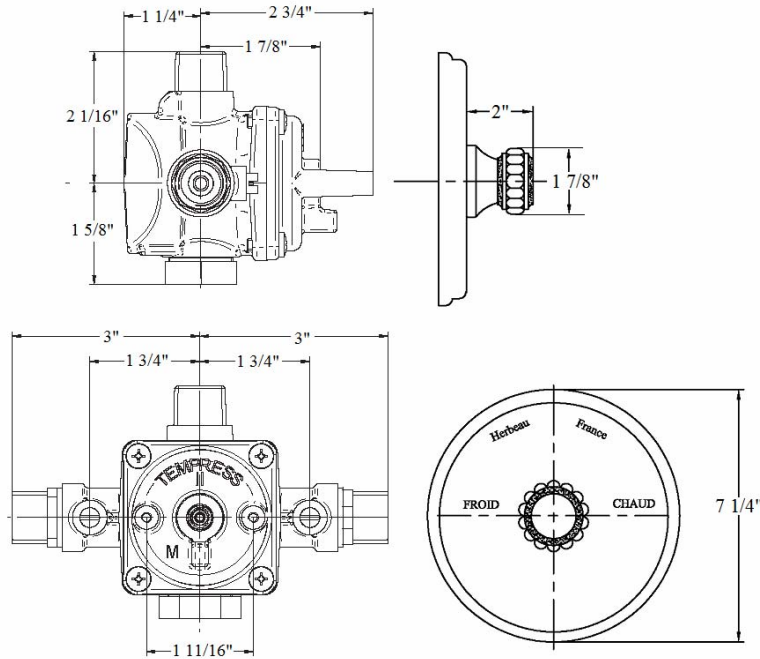


2277 – ‘Pompadour’ Pressure Balance Valve



Part #	Description
<u>TRIM</u>	
01	Mounting Plate
02	Finished Screw
03	Lille Wall Plate
04	Nylon Separator
06	Handle Screw
07	Pompadour Handle
08	Rubber O-Ring
09	Hex Nut
10	Handle Stem
<u>ROUGH</u>	
01	Screw
02	Stem
03	Collar
04	Screw
05	Face Plate
06	O-Ring
07	Cartridge
09	Collar
11	Hex Collar
12	Hex Nut

Technical Information

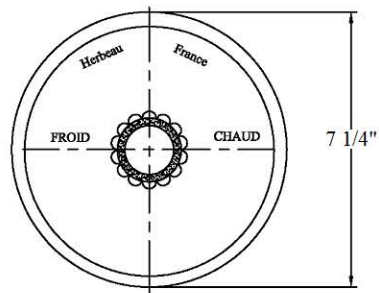
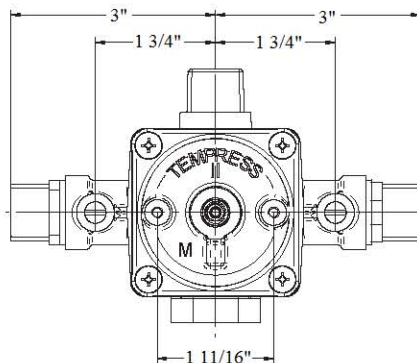
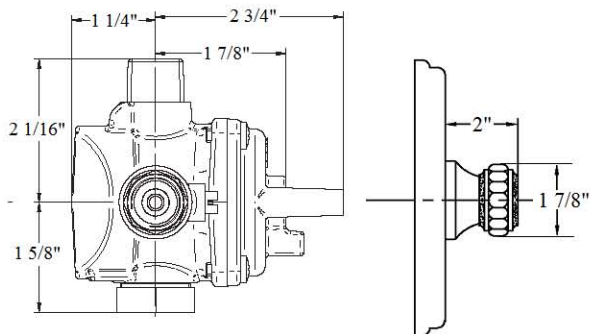
- Controls Temperature.
- For ½" Rough Pressure Balance Valve.
- Available Finishes are French Weathered Brass(47), Polished Chrome(48), Solibrass(49), Lacquered Matte Black Nickel(50), Old Gold(52), Old Silver(53), Polished Brass(55), Polished Nickel(56), Brushed Nickel(57), Satin Nickel(60), Antique Lacquered Copper(67), Antique Lacquered Brass(68), Weathered Brass(70), Lacquered Polished Black Nickel(71) and Lacquered Polished Copper(80).
- Please see cleaning Instructions:
<http://herbeau.com/CleaningAll.pdf> For Finish Care & Maintenance Information.

Please follow example when ordering parts for Pompadour Pres. Bal. Valve

- To order part#07 – **Pompadour Handle**
 - 990662xx
- Please substitute finish number needed in place of **xx**.



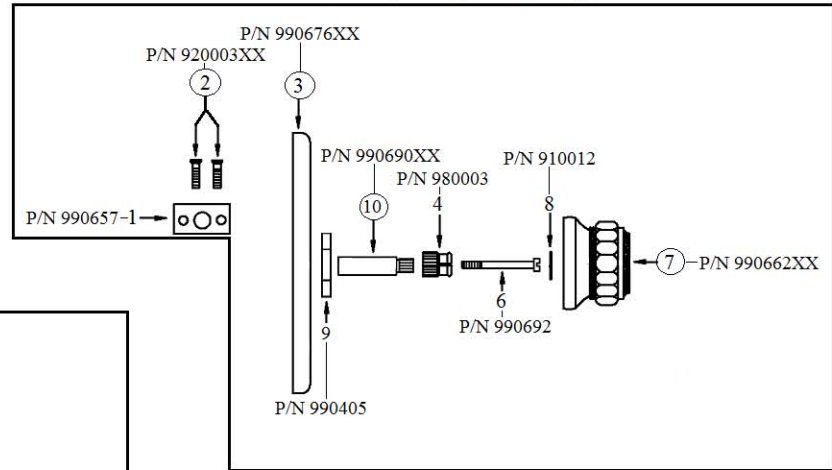
2277 - 'Pompadour' Pressure Balance Valve



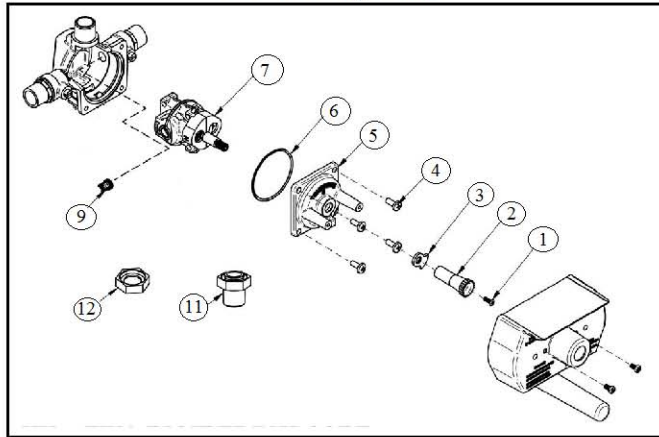
2277 - 'Pompadour' Pressure Balance Valve

*P/N = PART NUMBER

2277(Finish)- Trim Only



2277-R Rough Only



○ = FINISHED PARTS

XX = TWO DIGIT FINISH CODE

Modular pressure balance valve – 3 ports

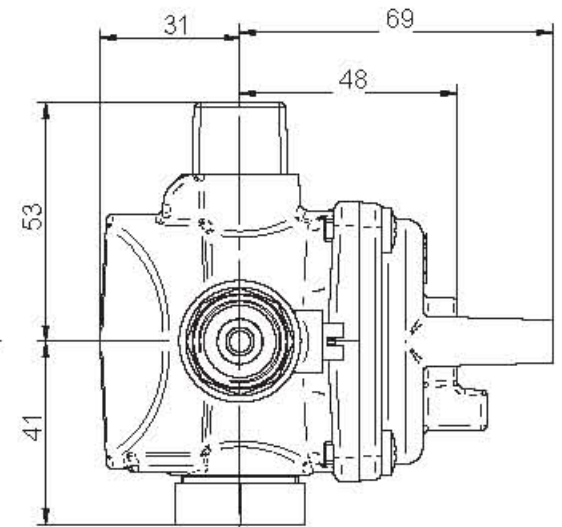
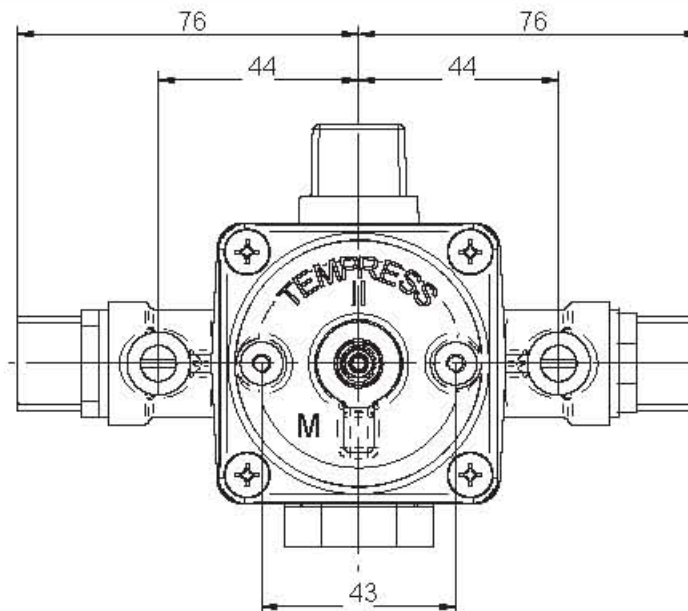
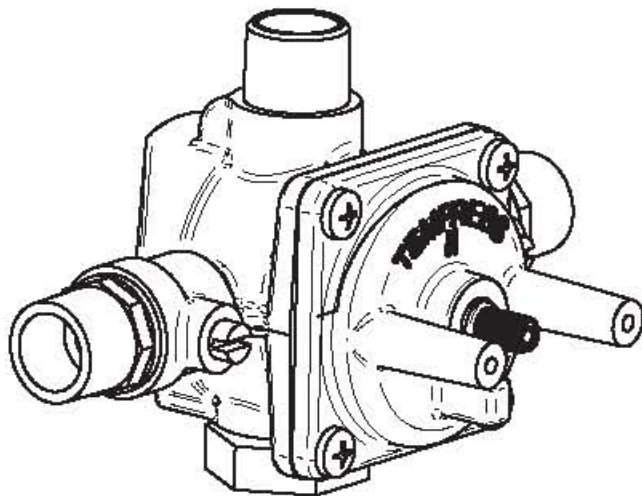
2277-R

Description

The new modular pressure balance rough-in valve replaces the existing valve and offers the convenience of a second outlet that can be used with a diverter¹, a dual outlet² or can be capped off. Tempress pressure balance valves offer protection from scalding and cold shocks. The rotating handle control provides the user with precise temperature control and a wide comfort zone.

Features and Benefits

- Built-in service ball stops for convenience
- Check valves to prevent cross flow, reduce water hammer and direct water to cartridge
- ½" NPT male-C x C universal connections
- Protection against scalding and cold water shock provided by the diaphragm which compensates for water pressure fluctuations
- Temperature control within 3.6°F (2°C) of set point even with a 50% water pressure drop
- Reversible cartridge allows back to back installation, eliminating additional piping
- Shallow valve body suitable for thin wall installations
- Reduced stop to stop dimension allows for smaller escutcheons (trims)
- Elimination of inserts inside the valve cavity reduces replacement parts and trouble shooting
- Reduced overall dimensions thanks to a redesign of the valve and addition of a captive inlet O-ring to divert water
- Visual cartridge alignment and seating facilitates cartridge replacement



Optional Fittings

- 1 31150010 Automatic diverter assembly w/plastic link
- 1 31150015 Automatic diverter assembly w/brass link
- 1 31150005 Manual Diverter assembly
- 2 44150330 Dual outlet fitting



31150010



31150015



31150005



44150330

Technical Data

Min. operating pressure: 20 psi (140KPa)
Max. operating pressure: 125 psi (860 KPa)
Max. burst pressure: 500 psi (3450 KPa)
Max. hot water temperature : 180°F (80°C)
Flow rate – Shower 5.3 USGPM (20 l/min) @ 50 psi (345 KPa)

Approvals

Approved to CSA B125,
ASME A112.18.1, and
ASSE 1016 standards.



Product and specifications subject to change without notice.